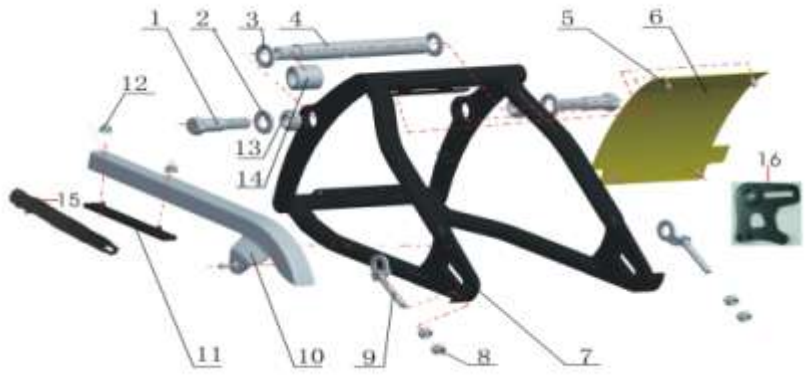
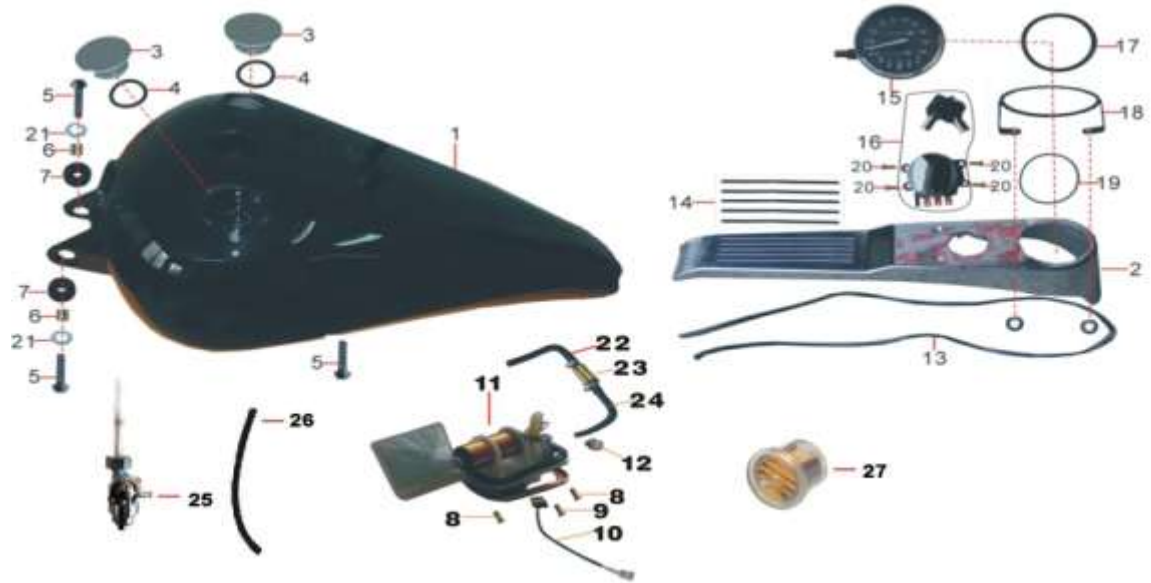




NO.	Part #	JPMC Description					
1	DD300E-6-0201-500	Main Chassis					
2	GB5787-86	Bolt M10×1.25×112					
3	GB6187-86	Self-Locking Nut M10×1.25					
4	DD250E-0202-004	Rubber Ring(1)					
5	DD250E-1400-002	Bolt M10×1.25×38					
6	DD300E-6-1401-000	Kickstand					
7	DD250E-1400-003	Kickstand Spring					
8	DD250E-0200-007	Bolt Flange M8×16					
9	DD250E-6-0204-000	Mounting Plate for Electrical Parts					
10	DD250E-6-0405-001	Charger Plug					
11	DD300E-6-1502-000	Steering Lock					
12	GB819-86	Bolt M6×12					
13	DD250E-0205-001	Short Spacer					
14	DD250E-0205-005	Washer					
15	DD250E-0205-002	Insert					
16	DD250E-0205-003	Rubber Bushing					
17	DD250E-0205-000	Front Engine Mount					
18	GB5787-86	Bolt M10×65					
19	GB5787-86	Bolt M10×1.25×132					



NO.	Part #	JPMC Description					
1	DD250E-6-0900-002	Bolt, Arm Pivot Shaft					
2	DD250E-6-0900-003	Chain Protect Washer					
3	DD250E-6-0900-005	Spacer					
4	DD250E-6-0900-100	Swing Arm Axle					
5	GB5787-86	Bolt M6x12					
6	DD250E-6-0902-001	Rear Mudguard					
7	DD250E-6-0901-000	Swing Arm					
8	GB6170-86	Nut M8					
9	DD250E-6-1004-000A	Axle Adjuster					
10	DD250E-6-0903-000	Chain Cover					
11	DD250E-6-0904-000	Chain Guide					
12	DD250E-0900-009	Cap Nut M5					
13	DD250E-6-0900-004	Bearing GE20ES					
14	DD250E-6-0900-101	Swing Arm Axle Guide					
15	GB/T14212-93	Chain 530H-1x124L					
16	DD250E-6-1002-100	Rear Brake Caliper Mount					



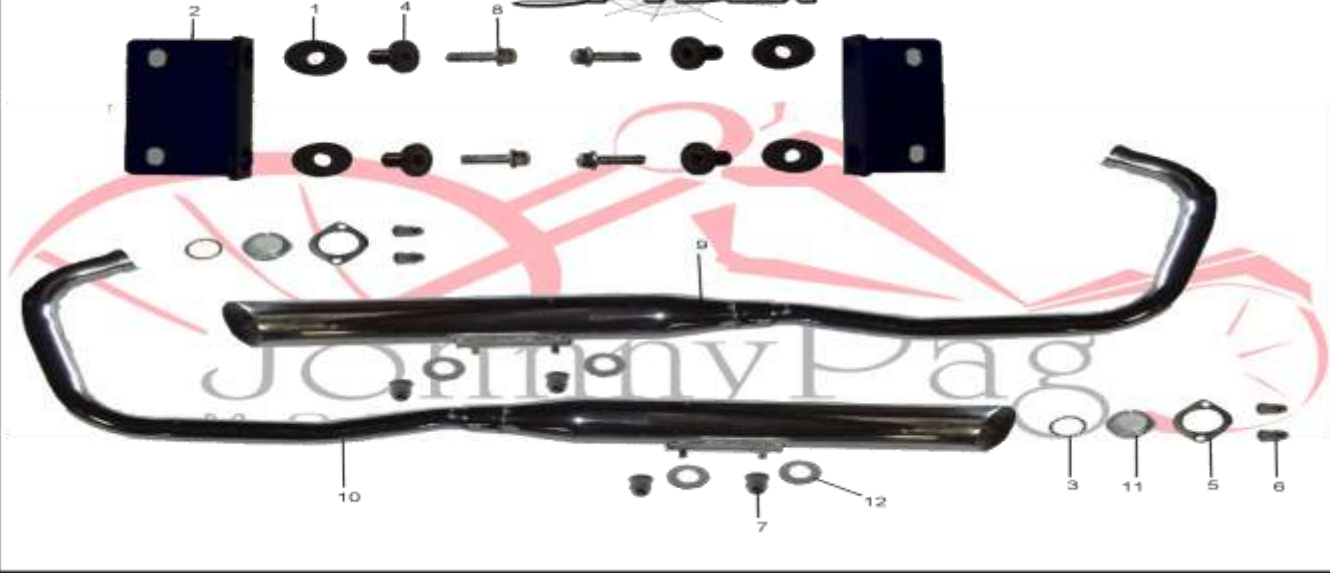
NO.	Part #	JPMC Description						
1	DD300E-6-1101-000	Gas Tank(EFI)						
1A	DD300E-6-1101-000/CR	Gas Tank(Carb)						
2	DD125E-5-1104-001	Fuel Tank Dash						
3	DD250E-6-1503-000	Fuel Tank Cap(Alu)						
3A	DD250E-6-1503-0001	1/4 Turn two tab cap(chrome)						
3B	DD250E-6-1503-0002	Large 1/4 Turn two tab cap(chrome)						
3C	DD250E-6-1503-0003	Press Locking Cap						
4	DD250E-6-1502-001	O Ring 41.2x5.3						
5	DD250E-1100-006	Bolt M6x25						
6	DD90E-1100-003	Spacer						
7	DD90E-1100-001	Rubber Washer						
8	GB818-85	Bolt M4x14						
9	GB818-85	Bolt M4x16						
10	DD250E-9A-0401-002	Fuel Pump Wire						
11	DD250E-5F-3209-00	Fuel Pump						
12	DD250E-5-1100-003	Fuel Pipe(I) 4.5x8.5						
13	DD250E-9B-1104-002	Rubber Strip,Fuel Tank Cover						
15	DD300E-6-0501-00B	Speedometer						
16	DD250E-6-1501-000	Ignition Switch Assy						
17	DD250E-6-0501-002	Odometer Cushion						
18	DD300E-6-0501-000	Meter Frame						
19	DD250E-9B-0504-001	Odometer Washer-Spring						
20	GB819-85	Bolt M5x8						
21	DD90E-1100-002	Tank Washer						
22	DD250E-9B-3209-002	Fuel Hose						
23	DD250E-9B-3210-000	Fuel Filter						
24	DD350E-6-3209-002	Fuel Hose						
25	JPM-G-0HW-06122	Petcock						
26	DD250E-1100-003	Fuel Hose (NON-EFI)						
27		Fuel Filter (NON-EFI)						



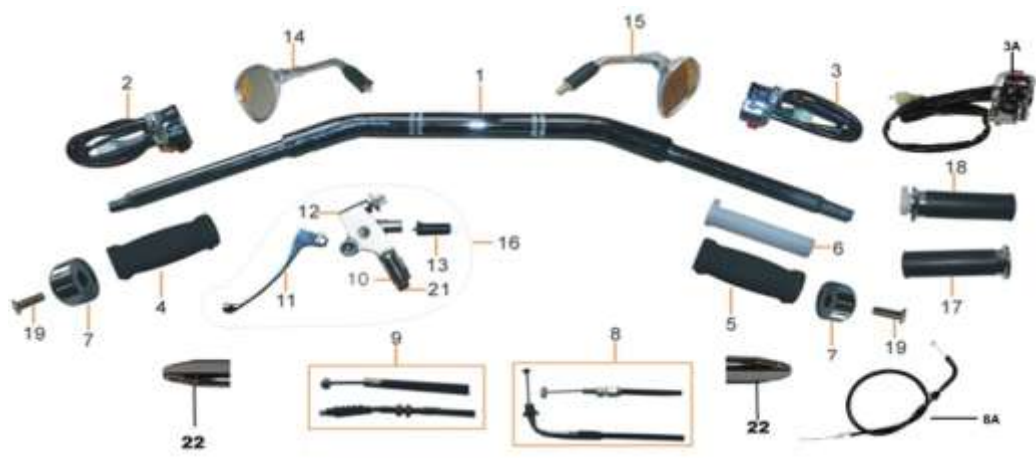
NO.	Part #	JPMC Description					
1	DD300E-6-1801-002	2011 Left Exhaust Pipe					
1A	DD125E-5-1811-001	2007-2010 Left Exhaust Pipe					
2	DD300E-6-1802-002	2011 Right Exhaust Pipe					
2A	DD125E-1812-001	2007-2010 Right Exhaust Pipe					
3	GB5783-86	Bolt M8x25					
4	DD250E-6-1800-300	Black Exhaust Bracket					
5	DD250E-1800-006	Rubber Gromet					
6	DD250E-1800-005	Bolt Sleeve					
7	GB93-87	Washer M8					
8	DD250E-0301-013	Nut M8					
9	DD250E-1800-003	Cap Nut M8,Exhaust					
10	DD250E-1800-001	Exhaust Flange					
11	DD250E-1803-000	Tube Ends					
12	DD250E-1800-002	Seal Washer, Exhaust					
13	DD125E-1800-002	Exhaust Gasket					
14	DD125E-1803-100	Exhaust Pipe Joint 2011					
15	GB5787-86	Bolt M6x22					
16	DD250E-0301-004	Nut M6					
17	DD300E-6-1801-001	Exhaust Head Pipe Left 2011					
18	DD300E-6-1802-001	Exhaust Head Pipe Right 2011					
19	DD350E-6-3206-000	Exhaust Sensor					

Exhaust - 17

SPYDER



NO.	Part #	JPMC Description					
1	DD250E-1800-006	Rubber Grommet					
2	DD250E-6-1800-300	Black Exhaust Bracket					
3	DD250E-1800-002	Exhaust Gasket (Copper)					
4	DD250E-1800-005	Bolt Sleeve					
5	DD250E-1801-000	Exhaust Flange					
6	DD250E-1800-003	Accorn Nut (M8 Deep)					
7	GB923-88	Accorn Nut (M8)					
8	DD250E-0700-007	Bolt (M8x25)					
9	DD125E-5-1811-001	Left Exhaust Pipe					
10	DD125E-5-1812-001	Right Exhaust Pipe					
11	DD250E-5-1803-000	Exhaust Flange Close Ring					
12		Lock Washer (M8)					



NO.	Part #	JPMC Description					
1	DD250E-6-0601-000	Handle Bar					
2	DD300E-6C-0602-000E	Left Switch Assembly					
3	DD350E-6-0603-000E	Right Switch Assembly 2011					
3A	DD300E-6-0603-000E	Right Switch Assembly 2006-2010					
4	DD250E-6-0604-000	Left Grip					
5	DD250E-6-0605-009	Right Grip					
6	DD250E-6-0605-010	Throttle Sleeve					
7	DD250E-0600-002	Bar Balance					
8	DD250G-2-0610-000	Throttle Pull Cable 2006-2010					
8A	DD250E-6-0608-000	Throttle Return Cable					
8B	DD250G-2-0610-pull2011	Throttle Pull Cable 2011					
9	DD250E-0607-000	Clutch Cable					
10	DD250E-0605-004	Cover, Perch					
11	DD250E-5-0605-008	Clutch lever					
12	DD250E-5-0605-007	Clutch Perch					
13	DD250E-0605-003	Clutch Relay					
14	DD50E(3B)-0626-000	Mirror L.					
15	DD50E(3B)-0627-000	Mirror R.					
16	DD250E-5-0605-000	Clutch Control Assembly					
17	DD250E-0604-000	Left Grip					
18	DD250E-0605-009	Right Grip					
19	GB820-85	Bolt M6x20					
21	DD250E-0605-005	Screw M6x25					
22	DD250E(07)-0600-002	Tapered Grip End					



NO.	Part #	JPMC Description					
1	DD250E-6-0701-002	Neck Stem					
2	DD300E-6-0701-001	Bottom Tree 5"(chrome)					
3	DD250E-0700-008	Brake Line Hook					
4	DD250E-0202-003	Bolt M6x12					
5	DD50E(3B)-0705-000	Reflector					
6	GB6170-86	Nut M6					
7	DD250E-6-0700-005	Bolt M8x20 (Steering Stop)					
8	DD250E-6-0600-200	Lock Bolt Assembly Inner Piece					
9	DD300E-6-0600-200	Lock Bolt Assembly Outer Piece					
10	GB70-85	Socket Hex Bolt M8x35					
11	DD250E-0600-009	Top Cap Button					
12	DD250E-6-0700-004	Lower Cover					
13	GB279-88	Bearing 30205					
14	DD250E-6-0700-002	Top Cover					
15	DD250E-6-0700-001	Bearings Nut M25x1x9.5					
16	DD300E-6-0601-001	Top Tree					
17	DD250E-6-0600-004	Stem Nut M25x1x17					
18	DD300E-6-0600-008	Handle Bar Riser					
19	DD250E-6-0600-006	Riser Cap (CP)					
20	DD250E-0600-003	Socket Hex Bolt M8x32					
21	DD250E-6-0600-003	Cushion Mat					
22	GB70-85	Socket Hex Bolt Inner M12x45					
23	DD250E-9(3)-0506-000	Fuel Gauge					
24	DD250E-9(3)-0507-000	Oil Gauge					
25	DD250E-9(3)-0505-001	Gauge Mount					
26	DD250E-6-0600-008	Handle Bar Riser 2006-2011					
27	DD250E-6-0600-006	Riser cap 2006-2011					



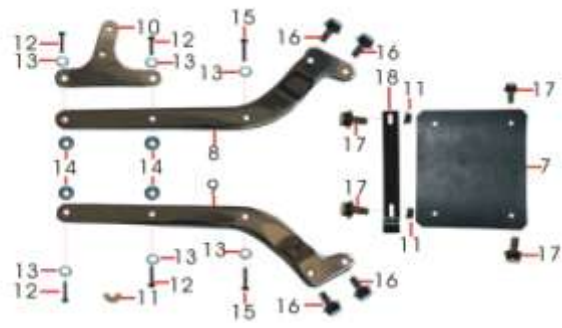
NO.	Part #	JPMC Description					
1	DD125E-5-0703-000	Left Fork Assembly					
2	DD125E-5-0704-000	Right Fork Assembly					
3	DD250E-6-2700-000	Front Fender (Black)					
4	DD250E-6-2700-008	Cable Hook L					
5	DD250E-6-2700-009	Cable Hook R					
6	DD250E-6-2000-002	Rear Shock Bolt					
7	DD250E-6-2000-003	Rear Shock Washer					
8	DD250E-6-2000-000	Rear Shock					
9	DD250E-0202-003	Bolt M6x12					
10	DD125E-5-0703-009	Fork Seal					
11	DD125E-5-0703-011	Fork Wiper					



NO.	Part #	JPMC Description					
1	DD250E-6-0800-012	Front Tire 80/90-21					
2	DD300E-6-0801-000	Front Rim					
3	DD300G-0800-002	Front Disc Brake9-300(II)					
4	DD300E-6-0800-001	Front Wheel Axle					
5	DD250E-0800-003	Hex Inner Bolt M8x24					
6	DD300E-6C-0800-004	Left Axle Spacer					
7	DD300E-6C-0800-005	Seal					
8	DD300E-6C-0806-000	Speedo Drive Assy					
9	DD250E-0804-001	Steering Clip					
10	DD300E-6C-1000-004	Seal 30x47x5					
11	GB278-88 6303	Bearing 6303					
12	DD300E-6C-0800-011	Spindle Sleeve $\phi 16.5 \times \phi 22 \times 80$					
13	DD250E-1000-005	Valve Nut					
14	DD250E-9B-0800-002	Front Wheel Axle Nut					
15	DD300E-6-0502-000	Odometer Cable					
16	DD250E-6-0800-013	Front Wheel Spacer					



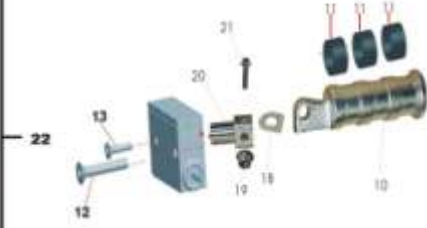
NO.	Part #	JPMC Description					
1	DD250E-6-1000-016	Rear Tire 160/80-16 CST					
2	DD300E-6-1001-000	Rear Rim					
3	DD300G-1000-017	Brake Disc RR 240mm					
4	DD300E-6C-1004-000	Rear Wheel Axle					
5	DD250E-0800-003	Hex Inner Bolt M8x24					
6	DD350E-2-1000-011	Axle Spacer					
7	GB278-88R	Bearing 6303RS					
8	DD300E-6C-1000-006	Buffer					
9	GB6187-86	Self-Locking Nut M10x1.25					
10	DD250E-1007-000	Lock Nut M14x1.5					
11	DD300E-6C-1000-003	Buffer Block					
12	DD300E-6C-1006-000	Rear Sprocket 530H34T					
13	DD300E-6C-1000-004	Oil Seal 28x42x7					
14	DD250E-1000-004	O-sealing 47x2.5					
15	DD250E-1000-005	Wheel Air Valve Stem					
16	GB278-88	Bearing 6303RS					
17	DD350E-2-1000-014	Spacer					
18	DD300E-6C-1000-003	Rear Wheel Fixture Set					



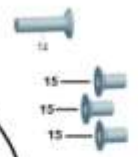
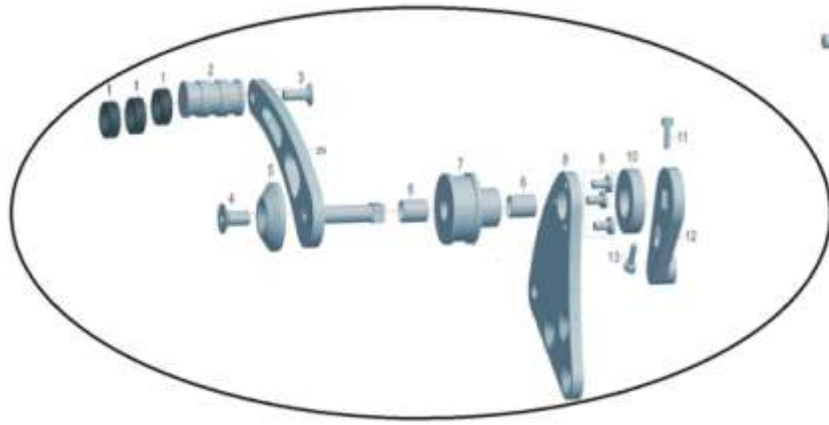
NO.	Part #	JPMC Description					
1	DD250E-6-2100-000	Rear Fender Black					
2	DD300E-6-2100-009	Rear License Bracket					
3	DD50E (3B) -1350-005	Bolt M6x25					
4	DD90E-1100-001	Rubber Washer					
5	DD250E-2101-000	Washer					
6	DD250E-2100-010	Nut M6					
7	DD250E-6-0902-002	Mud Flap					
8	DD300E-6-2100-007	Left Strut					
9	DD300E-6-2100-008	Right Strut					
10	DD125E-5-1306-000	Passenger Brackets					
11	GB6187-86	Self-Locking Nut M6					
12	DD250E-1300-009	Bolt M8x35					
13	GB97.1-85	Washer M8					
14	GB6177-86	Flange Nut M8					
15	DD90E-1300-006	Bolt M8x40					
16	GB5789-86	Bolt M10x1.5x15					
17	DD250E-0202-003	Bolt M6x12					
18	DD250E-6-0902-003	Rear Bracket					



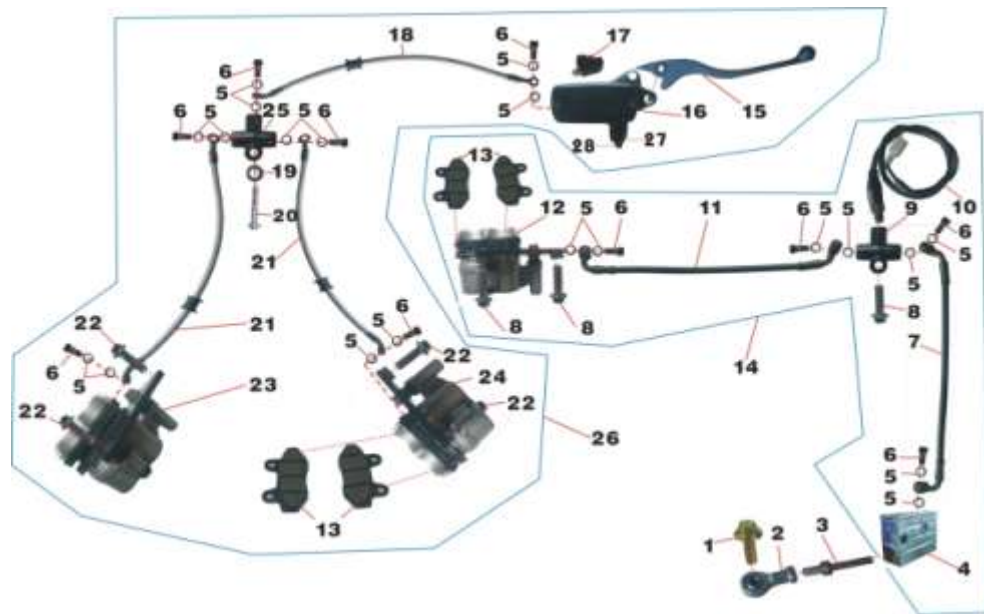
NO.	Part #	JPMC Description					
1	DD300E-6-1301-000	Dual Seat					
2	DD125E-5-1305-000	Sissy Bar					
3	DD300E-6-1911-103	Passenger Foot Peg Assembly L.					
4	DD300E-6-1912-103	Passenger Foot Peg Assembly R.					
5	GB6177-86	Nut M6					
6	GB5789-86	Bolt M10x1.5x15					
7	DD250E-0202-003	Bolt M6x12					
8	GB6187-86	Self Locking Nut M6					
9	DD250E-6-1305-004	Bolt M6x30					
10	DD250E-6-1402-303	Rubber Sleeve (II)					
11	GB5787-86	Hex Flange Bolt M10x25					
12	DD300E-6-1304-000	Backrest Pad					
13	DD250E-6-1301-001	Hinge, L. Seat					
14	DD250E-6-1301-002	Hinge, R. Seat					
15	DD250E-6-1300-008	Dual Seat Rear Mounting Bracket					
16	DD250E-0200-007	Bolt M8x16					
17	GB97.1-85	Washer M8					
18	DD250E-0301-013	Cap Nut M8					
19	DD250E-6-1301-000	Standard Solo Seat					



NO.	Part #	JPMC Description					
1	GB6187-86	Nut M10×1.25					
2	DD250E-6-1402-001	Right Control Bracket					
3	DD250E-6-1402-000	Control Spacer Shaft					
4	DD250E-6-1402-200	Plunger Lever Bracket					
5	DD250E-6-1402-202	Bushing					
6	DD250E-6-1402-002	Rear Brake Lever					
7	GB70-86	Bolt M6×16					
8	DD250E-6-1402-003	Right Control End Cap					
9	GB70.3-2000	Bolt M10×1.5×35					
10	DD250E-6-1402-404	Right Foot Peg					
11	DD300E-6-1402-504	Rubber Sleeve(II)					
12	GB70.3-2000	Bolt M10×1.5×80					
13	GB70.3-2000	Bolt M8×35					
14	GB70.3-2000	Bolt M8×25					
15	DD300E-6-1402-401	Brake Pedal					
16	DD250E-6-1402-403	Rubber Sleeve(I)					
17	DD250E-6-1402-203	Pin					
18	DD250E-6-1402-504	Shim					
19	GB6187-86	Nut M10×1.25					
20	DD250E-6-1402-501	Right Peg Mount					
21	GB5787-86	Bolt M10×40					
22	JPM-SPBX-OCL-06153	Right Forward Control Assembly					



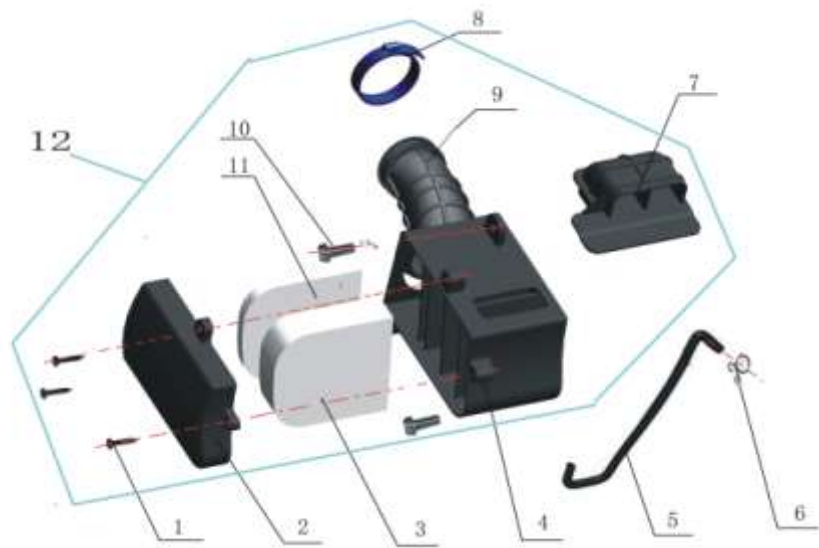
NO.	Part #	JPMC Description					
1	DD250E-6-1402-403	Rubber Sleeve(IV)					
2	DD300E-6-1402-401	Shifter Peg (small)					
3	GB70.3-2000	Hex Inner Bolt M8×25					
4	GB/T70.1-2000	Hex Bolt M6×16					
5	DD250E-6-1406-001	Left Control End Cap					
6	DD250E-6-1406-102	Alex Sleeve (small)					
7	DD250E-6-1406-101	Mounting Bracket, L (CP)					
8	DD250E-6-1406-004	Left Control Bracket					
9	GB70-85	Hex Bolt M6×16					
10	DD250E-6-1406-005	Spacer					
11	GB/T70.1-2000	Bolt M5×20					
12	DD250E-6-1406-006	Shifter Bracket					
13	GB/T77-2000	Hex Inner Bolt M6×10					
14	GB70.3-2000	Hex Inner Bolt M10×1.5×45					
15	GB70.3-2000	Bolt M10×1.5×25					
16	DD250E-6-1402-502	Left Foot Peg					
17	DD250E-6-1402-303	Rubber Sleeve(II)					
18	DD150E-2-1408-000	Shifter Joint					
19	DD125E-5-1406-007	Shifter Rod 315mm					
20	DD300E-6-1406-008	Shifter Knuckle					
21	DD250E-6-1402-504	Shim					
22	GB6187-86	Nut M8					
23	GB5787-86	Bolt M10×40					
24	DD250E-6-1402-501	Left Peg Mount					
25	JPM-SPBX-OCI-06134	shift lever					
26	JPM-SPBX-OCI-06144	Left Forward Control Assembly					



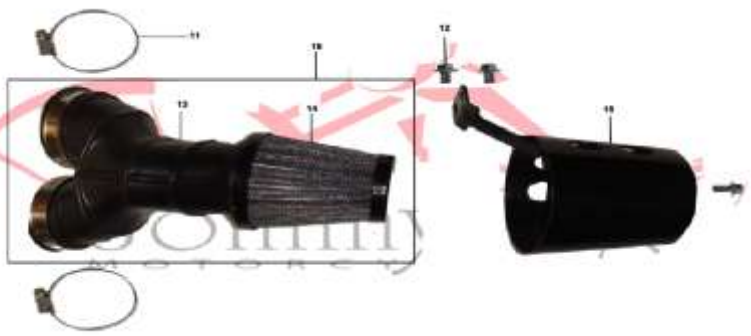
NO.	Part #	JPMC Description						
1	GB5787-86	Bolt M6x16						
2	DD250E-6-1001-020	Hemi Joint						
3	DD250E-6-1001-010	Push Pole						
4	DD250E-6-1003-600	Rear Master Cylinder						
5	DD250E-0802-001	Brake Line Copper Washer						
6	DD250E-0802-002	Screw M10x20						
7	DD250E-6-1003-200	Upper Brake Line						
8	DD250E-1300-009	Bolt M8x35						
9	DD250E-6-1003-400	Tree Joint Brake RR						
10	DD250E-6-1003-300	Switch Assy. Rear Brake						
11	DD250E-6-1003-500	Lower Brake Line						
12	DD250E-6-1003-100	Rear Brake Caliper						
13	DD250E-6-0803-015	Brake Pads						
14	DD125E-5-1003-000	Rear Brake Assembly						
15	DD250E-6-0802-019	Clutch Lever R						
16	DD250E-6-0802-100	Front Brake Master Cylinder						
17	DD250E-0802-017	Brake Signal Switch						
18	DD300E-6-0802-300	Upper Brake Line. Front Brake						
19	GB96-85	Washer M6						
20	GB5787-86(0202-003)	Bolt M6x35						
21	DD250E-6-0802-400	Lower Brake Line.Front Brake						
22	DD90E-1300-003	Bolt M8x32						
23	DD250E-6-0802-500	Lower Pumb. Front Brake Pumb L.						
24	DD250E-6-0802-700	Lower Pumb. Front Brake Pumb R.						
25	DD250E-6-0802-600	Front Brake Tree Joint						
26	DD250E-6-0802-000	Front Brake Assembly						
27	DD250E-5-0802-020	Front Master Cylinder Cover						
28	GB5787-86	Bolt M6x25						



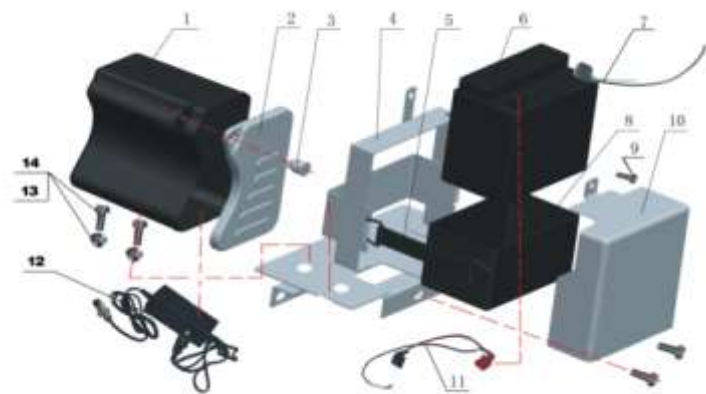
NO.	Part #	JPMC Description					
1	DD250E-6-0301-004	Headlight bulb 12v35w					
2	DD250E-9B-0407-000	Kickstand Switch					
3	DD250E-6-0305-100	Left Rear Turn Signal					
4	DD50E(3B)-0302-010	Nut M10					
5	DD250E-6-0305-200	Right Rear Turn Signal Mount					
6	DD50E(3B)-0306-000	Tail Light Assembly					
7	DD250E-0301-003	Tail Light Bulb					
8	DD250E-6-0304-100	Left Rear Signal Mount					
9	DD300E-6-0304-000	Right Rear Turn Signal					
10	DD250E-9B-3209-011	Fuse					
11	DD350E-6-3202-000	Main Harness					
11A	DD350E-6-3202-000/CR	Main Harness (Carb)					
12	DD350E-6-3203-000	ECU					
13	DD350E-6-3201-000	Sub Harness					
13A	DD350E-6-3201-000/CR	Sub Harness (Carb)					
14	DD250E-0301-002	Turn signal bulb 12V10w					
15	DD300E-6-0305-100	Left Front Turn Signal					
16	DD250E-0301-004	Nut M6					
17	GB6177-86	Jam Nut M6					
18	DD300E-6-0304-001	Turn Signal Mount					
19	DD300E-6-0303-000	Right Front Turn Signal					
20	DD300E-6-0301-000	Head Light Assembly					
21	GB93-87	Washer M10					
22	GB70-85	Bolt M10x30					
23	DD250E-0400-003	Bolt M8x12					
24	DD50E(3B)-0412-000	Horn					
25	DD250E-0414-000	Flasher					
26	DD250E-0111500	CDI Unit					
27	DD250E-0414-000/A	Flasher 2006-2011					
28	DD90E-0111700	Diode 2006-2011					
29	DD250E-0406-000	Fuse 12V5A 2006-2011					



NO.	Part #	JPMC Description					
1	GB845-85	Self-Tapping Screw					
2	DD300E-6-1700-013	Air Box Cover					
3	DD300E-6-1702-000	Primary Air Filter					
4	DD300E-6-1700-014	Air Box					
5	DD300E-6-1700-005	Breather Tube					
6	DD250E-1100-002	Hose Clamp					
7	DD350E-6-1700-002	Air Box Inlet					
8	DD250E-1700-001	Hose Clamp(60-30)					
9	DD250E-1700-002	Intake Hose					
10	DD250E-0202-003	Bolt M6X12					
11	DD300E-6-1701-000	Secondary Air Filter					
12	DD350E-6-1700-000	Air Filter Assembly					



#	Part #	JPMC Description						
1	DD300E-6-1700-000	Complete Air Box Assembly						
2	DD300E-6-1700-014	Air Box						
3	DD300E-6-1700-012	Filter Screen						
4	DD300E-6-1700-013	Air Box Cover						
5	DD300E-6-1700-011	Filter Element W/Jacket						
6	DD250E-1700-001	Hose Clamp (60-30)						
7	DD300E-6-1700-005	Breather Tube						
8	DD250E-0202-003	Bolt M6x1.00x12						
9		Lid Screw M4x16						
11	DD250E-1700-001	Hose Clamp (60-30)						
12	DD250E-0202-003	Bolt M6x1.00x12						
13	DD300E-6-1700-000	Air Filter Y-Boot						
14	DD250E-1701-000 Cone	Cone Filter						
15	DD250E-1701-000Cage	Air Filter Cage						
16	DD250E-1701-000Boot	Air Filter Boot W/Filter						



NO.	Part #	JPMC Description					
1	DD250E-6-1500-001	Tool Box Body					
2	DD250E-6-1500-002	Tool Box Cover(CP)					
2A	DD250E-6-1500-002/MB	Tool Box Cover (Matt Black)					
3	DD250E-6-1500-003	Tool Box Lock					
3A	DD250E-6-1500-003/MB	Tool Box Lock (Matt Black)					
4	DD250E-6-0203-000	Battery Holder					
5	DD250E-0400-002	Strap,Battery					
6	DD250E-0403-000	Battery					
7	DD250E-0417-000	Negative Battery Cable					
8	DD250E-0404-001	Battery Box					
9	GB5787-86	Bolt M8x16					
10	DD250E-6-0400-100	Battery Cover					
11	DD250E-0416-000	Positive Battery Cable					
12	DD250E-6-0405-000	Charger					
13	DD250E-0202-003	Bolt M6x12					
14	DD250E-2100-010	Nut M6					



NO.	Part #	JPMC Description					
1	DD250E-9A-000-003	Radiator Filler, Top					
2	GB818-85	Bolt M6x12					
3	DD250E-9A-0000-002	Radiator Fill, Bottom					
4	DD250E-9A-0000-005	Hose Clamp					
5	DD300E-6-0000-005	Radiator Filler Hose					
6	DD300E-6-0000-001	Radiator Reservoir					
7	GB818-85	Front Spoiler					
8	DD250E-0202-003	Bolt M6x12					
9	DD250E-0202-003	Bolt M6x12					
10	DD250E-9A-0117005	Side Radiator Hose					
11	DD250E(3)-1804-005	Hose Clamp					



NO.	Part #	JPMC Description					
1	DD250E-6-1601-001	Left Side Cover (Chrome)					
1A	DD250E-6-1601-001/A6	Left side cover(2006)					
1B	DD250E-6-1601-001/MB	Left Side Cover (Matt Black)					
2	DD250E-6-1602-001	Right Side Cover (Chrome)					
2A	DD250E-6-1602-001/A6	Right side cover(2006)					
2B	DD250E-6-1602-001/MB	Right Side Cover (Matt Black)					
4	GB818-85	Bolt M6x16					
5	DD250E-6-1602-002	Sleeve					
6	DD250E-6-1603-003	Rubber Ring					
7	DD90E-0600-004	Wire Box Cover					
8	DD90E-0600-005	Wire Box					
9	GB845-85	Self-tapping Screw ST 4.2x24					
10	DD90E-0600-007	Blot M6x14					
11	DD250E-6-0113100	Front Sprocket Cover Chrome					