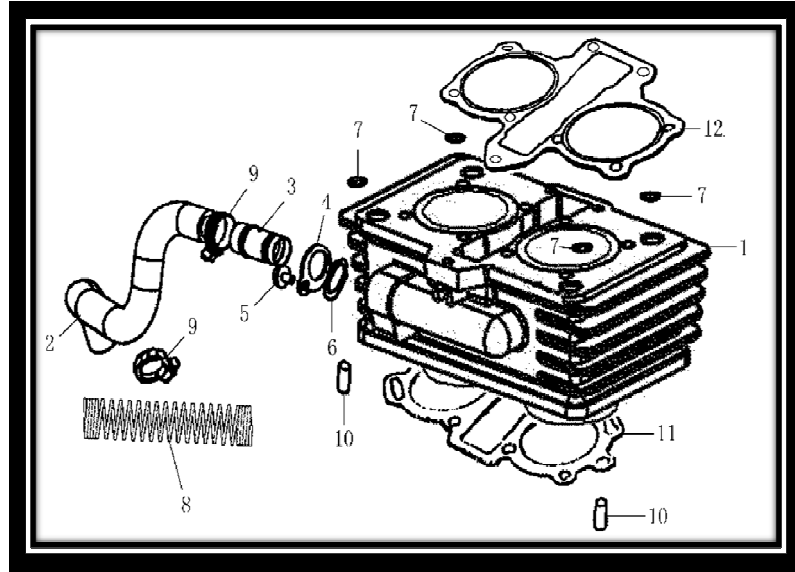
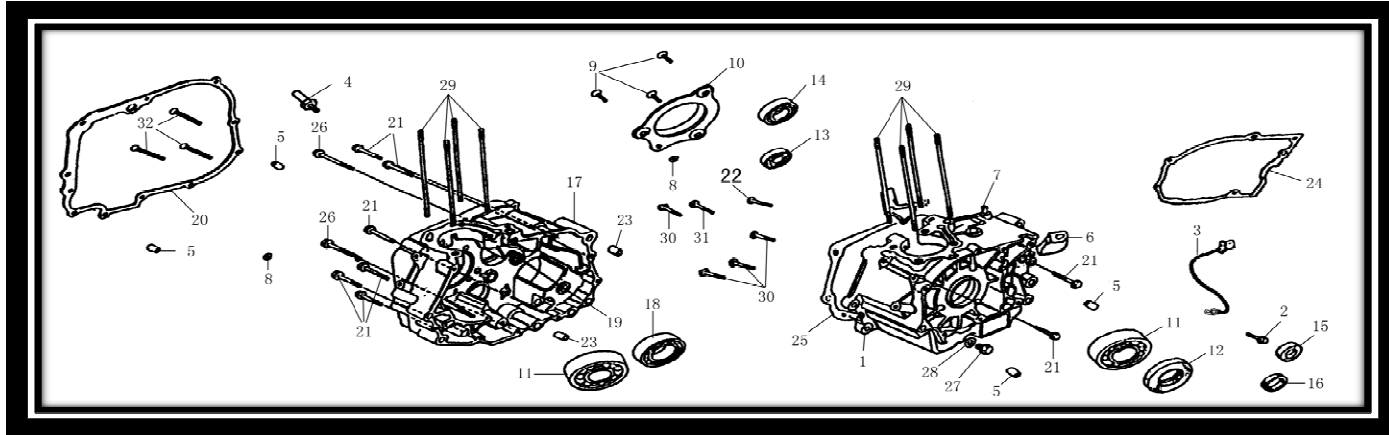


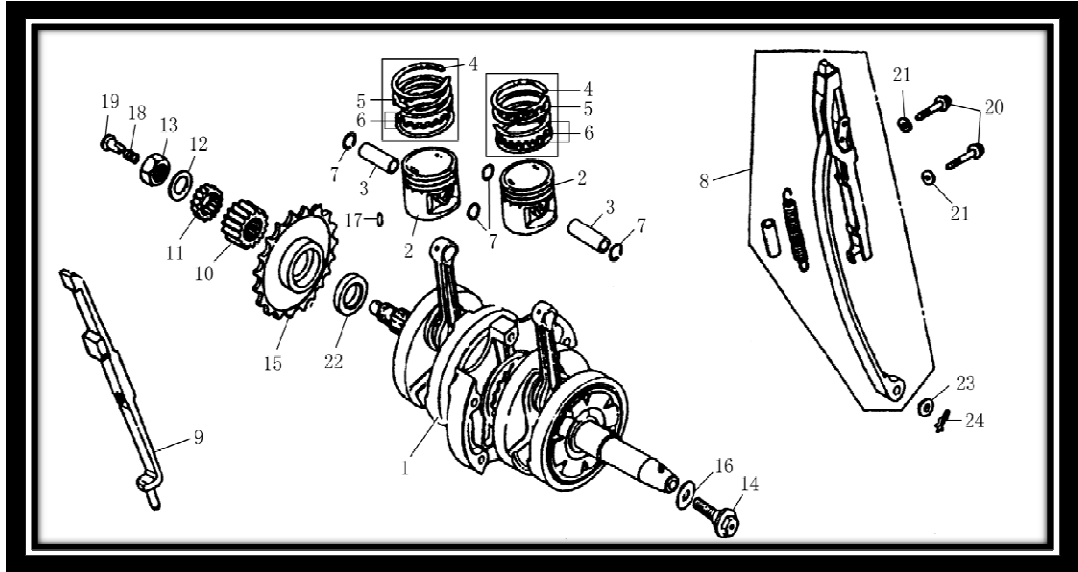
#	PART NUMBER	DESCRIPTION					
1	DD300E-0101100A	Head comp ,cylinder					
2	DD250E-9-0101025	Hose connector					
3	DD250E-9-0101024	Hose connector setting plate					
4	DD250E-9-0101026	O-ring 17x2					
5	DD250E-0101201	Left Intake manifold					
6	GB95-85	Washer M5					
7	GB823-88	Screw M5x8					
8	DD250E-0101202A	O- ring 26x2.5					
9	DD250E-0101301	Right Intake manifold					
10	DD250E-0101400A	Head Cover Bolt Rubber Washer					
11	DD250E-0101500A	Plug, spark A6RTC					
12	JPM-11-015	Head Cover					
12A	JPM-11-015/A10	Head Cover(2010-11)					
13	DD250E-0101002A	Head Cover Bolt					
14	DD250E-0101003A	Head Gasket (rubber)					
14A	DD250E-0101003A/A10	Head Gasket (rubber)(2010-11)					
15	DD250E-0101004A	Cylinder Head Side Cover Mounting Bolt					
16	DD250E-0101005A	Nut, hex M8					
17	DD250E-0101006A	Washer M8					
18	DD250E-0101007A	Valve, intake					
19	DD250E-0101008A	Valve, exhaust					
20	DD250E-0101009A	Retainer, valve spring					
21	DD250E-0101011A	Seat, valve spring outer					
22	DD300E-0101012	Spring, valve inner					
23	DD250E-0101013	Spring, valve outer					
24	DD250E-0101014B	Cotter, valve					
25	DD250E-0101120A	Seal, valve stem					
26	DD250E-0101015A	Exhaust port stud					
27	DD250E-0101016A	Pin, dowel 10x16					
28	DD250E-0101017A	Bolt M6x145					
29	GB5787-86	Bolt M6x12					
30	GB6170-86	Nut M6-ZnD					
31	DD250E-0101019A	Pin, dowel (10x28)					
32	GB6177-86	Nut M6-ZnD					
33	DD250E-0101022A	Bolt stud M6x29					
34A	JPM-11-105A	Left Head Side Cylinder Cover					
34B	JPM-11-105B	Right Head Side Cylinder Cover					
35	DD250E-0101030A	Band insulator. 21~44					
36	DD250E-0301-013	Cap nut					
37	DD150E-8-0101107	Bolt stops					
38	DD250E-9-0101018	Bolt M6x83					
39	DD250E-0101612	Gasket					
40	DD250E-6-1804-001	Right repair the windpipe					
41	DD250E-6-1804-201	Left repair the windpipe					
42	GB/T5789	Bolt M6x16					



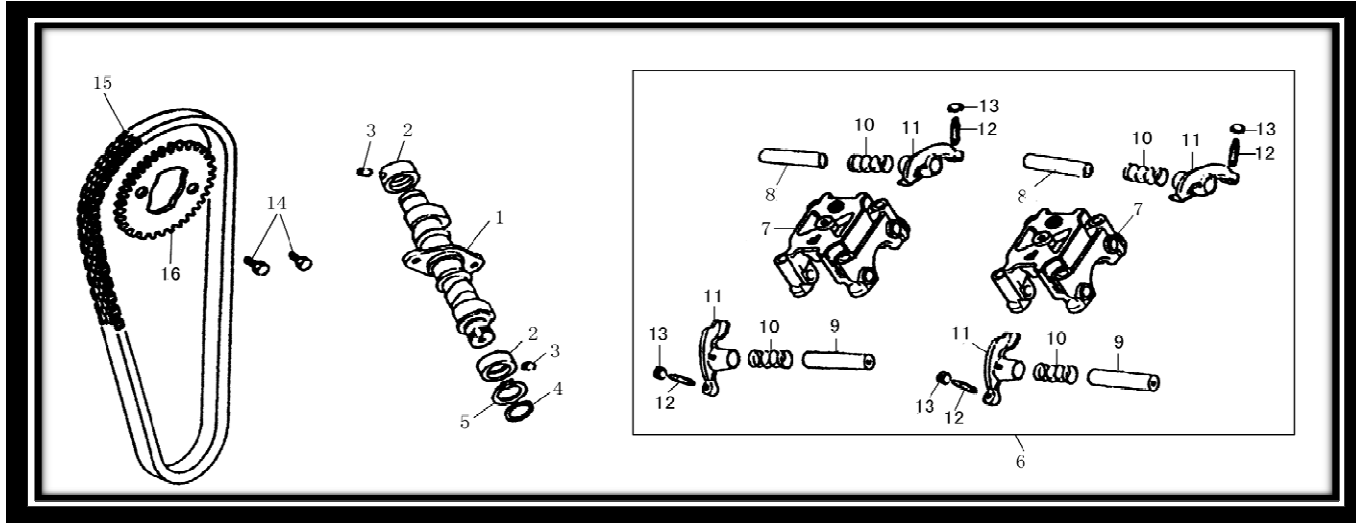
#	PART NUMBER	DESCRIPTION					
1	DD300E-0102100	Cylinder comp (2007-2010)					
1A	DD300E-0102100/A6	Cylinder comp (2006)					
1B	DD300E-0102100/A11	Cylinder comp (2011)					
2	DD250E-9-0102004	Hose, cylinder					
3	DD250E-9-0101025	Hose connector					
4	DD250E-9-0101024	Hose connector setting plate					
5	GB5787-86	Bolt M6x12					
6	DD250E-9-0101026	O- ring 17x2					
7	DD250E-0101103A	O- ring 10x1.6					
8	DD250E-9-0102005	Hose spring, cylinder					
9	DD250E-9-0117010	Hose clip					
10	DD250E-0102001A	Pin, dowel (8x14)					
11	DD250E-9-0102002	Base Gasket (2006)					
11A	DD250E-9-0102002/A7-A10	Base Gasket (2007 - 2010)					
11B	DD250E-9-0102002/A11	Base Gasket (2011)					
12	DD250E-9-0102003	Head Gasket (2006)					
12A	DD250E-9-0102003/A7-A10	Head Gasket (2007-2010)					
12B	DD250E-9-0102003/A11	Head Gasket (2011)					
13	GB/T848-85	Washer M6					



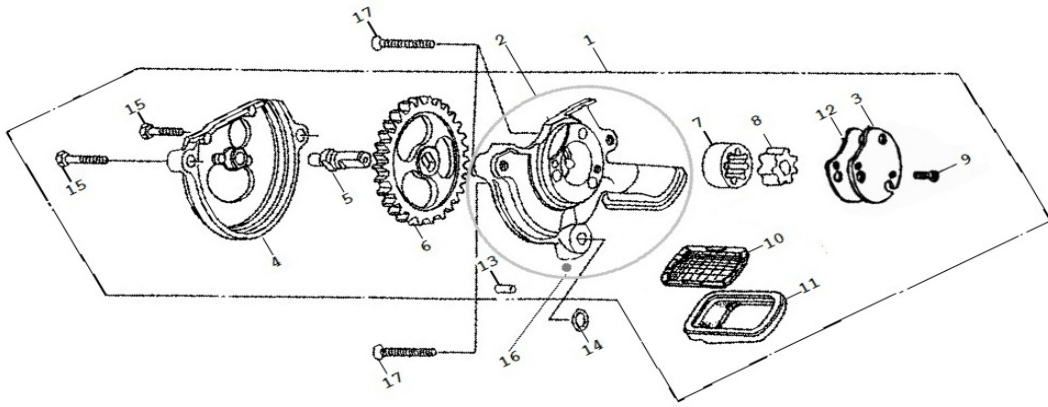
#	PART NUMBER	DESCRIPTION					
1	DD300E-0103190	Left crankcase					
2	GB5787-86	Bolt M6×12					
3	DD250E-0103170	Transmission indicator (6 Wire Red Plug & 1 Blue Wire)					
3A	DD250E-0103103	Contact Neutral Switch (One Green/Red Wire)					
4	DD250E-0103022A	Pin, shift					
5	DD250E-0102001A	Pin, dowel (8×14)					
6	DD250E-0103107A	Protecting jacket, alternator Outline					
7	DD250E-0103109	Rubber pipe cover					
8	DD250E-0103111A	O-ring (6×3)					
9	GB819-85	Screw M6×16					
10	DD250E-0103120	Plate, oil through					
11	GB/T276-94	Bearing 6305/P6					
12	DD250E-0103130	Oil seal(35×52×7)					
13	GB/T276-94	Bearing 6202-Z/P6					
14	DD250E-0103140A	Bearing 22×47×14-RS/P6					
15	DD250E-0103150	Oil seal(22×34×7)					
16	DD250E-0103160	Oil seal(11.6×24×10)					
17	DD300E-0103210	Right crankcase					
18	GB/T276-94	Roller bearing 6304/P6					
19	DD250E-0103220A	Needle-bearing HK152312					
20	DD250E-0103001B	Right Crankcase Gasket					
20A	DD250E-0103001B/A10	Right Crankcase Gasket (2010-11)					
21	DD250E-0112001A	Bolt M6×40					
22	DD250E-0103021A	Bolt M8×1×30					
23	DD250E-0103005A	Pin, dowel 12×20					
24	DD250E-0103006B	Gasket, side spacer					
25	DD250E-0103007B	Gasket, crankcase					
25A	DD250E-0103007B/A10	Gasket, crankcase(2010-11)					
26	DD250E-0108006A	Bolt M6×65					
27	DD250E-0103011A	Oil Drain Screw M12×1.5					
27A	DD250E-0103011A/A10-A11	Oil Drain Screw (2010-2011)					
27B		Oil Drain Screw O' ring (2010-2011)					
28	DD250E-0103012A	Washer M12					
29	DD250E-0103015A	Bolt, cylinder head stud					
30	DD250E-0103016A	Bolt M8×1×35					
31	DD250E-0103023	Bolt M7×26					
32	GB819-85	Screw M6×32-ZnD					
33		Oil Strainer Screen (2010-2011)					
34		Oil Strainer Screen Spring (2010-2011)					



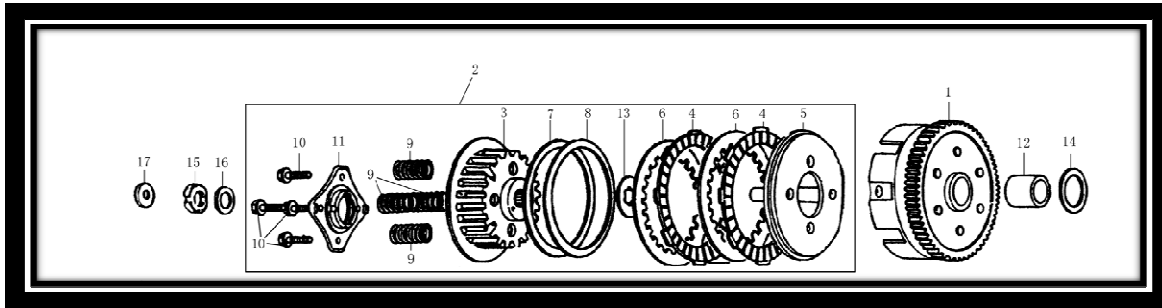
#	PART NUMBER	DESCRIPTION					
1	DD250E-0104100A	Crank ,shaft comp					
2	DD300E-0104201	Piston					
2A	DD300E-0104201/A11	Piston (2011)					
3	DD300E-0104202	Pin, piston					
4	DD300E-0104203	1st piston ring					
4A	DD300E-0104203/A11	1st piston ring(2011)					
5	DD300E-0104204	2nd piston ring					
5A	DD300E-0104204/A11	2nd piston ring (2011)					
6	DD300E-0104210	Oil ring comp					
6A	DD300E-0104210/A11	Oil ring comp(2011)					
7	DD250E-0104205A	Clip, piston pin					
8	DD250E-0104300A	Chain stretching comp					
9	DD250E-0104001A	Guide, cam chain					
10	DD250E-0104002A	Gear, primary drive					
11	DD250E-9-0104003	Gear, oil pump drive					
12	DD250E-0104004A	Washer, lock					
13	DD250E-0104005A	Nut, hex					
14	DD250E-0104006A	Bolt, rotor setting					
15	DD250E-0104007B	Sprocket comp, starting					
16	DD250E-0104008	Washer 12					
17	DD250E-0104009A	Stud2×14					
18	DD250E-0104011A	Spring, oil through					
19	DD250E-0104012A	Through oil					
20	DD250E-0104013A	Bolt M6×26					
21	DD250E-0104014A	Washer 6					
22	DD250E-0104020	Oil seal(22×31×5)					
23	DD250E-0114015A	Plate washer					
24	DD250E-0104016B	Pin, lock					



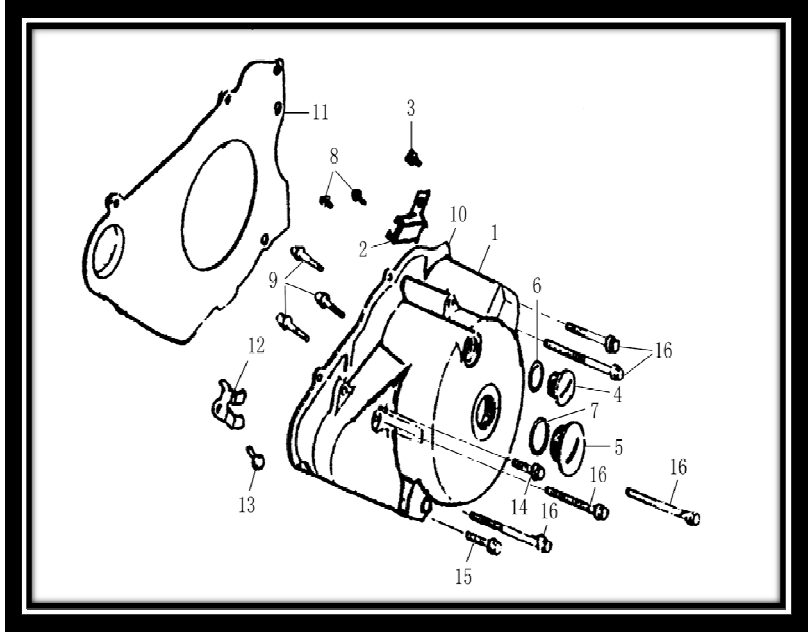
#	PART NUMBER	DESCRIPTION					
1	DD300E-0105101	Camshaft					
2	DD250E-0105102A	Bush, camshaft					
3	DD250E-0105103A	Pin, dowel bush camshaft					
4	GB894.2-86	Circle, external					
5	DD250E-0105105A	Washer, thrust					
6	DD250E-9-0105200	Holder comp, camshaft					
7	DD250E-9-0105201	Holder, camshaft					
8	DD250E-9-0105202	Shaft, valve rocker arm- Exhaust					
9	DD250E-0105202A	Shaft, valve rocker arm-Intake					
10	DD250E-0105203A	Spring, rocker arm side					
11	DD250E-0105204A	Arm, valve rocker					
12	DD250E-0105205A	Screw, tappet adjusting					
13	DD250E-0105206A	Nut, tappet adjusting					
14	DD250E-0105002A	Bolt M7×13					
15	DD250E-0105300A	Chain, cam					
16	DD250E-0105001A	Sprocket, cam					



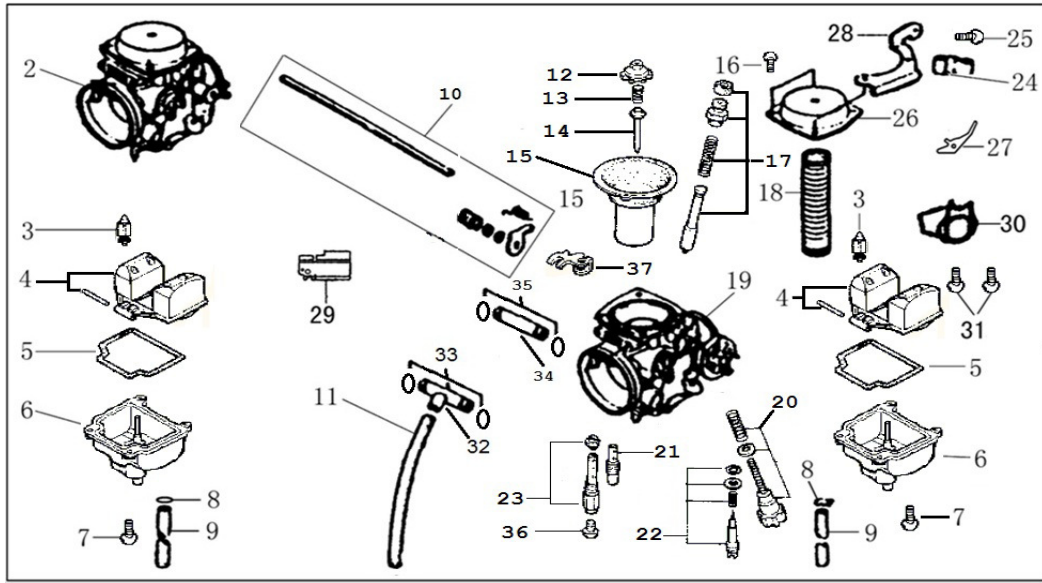
#	PART NUMBER	DESCRIPTION					
1	DD250E-9-0106000	Pump assy, oil					
1A	DD250E-9-0106000/A10	Pump assy, oil(2010-11)					
2	DD250E-0106001B	Oil pump body					
2A	DD250E-0106001B/A10	Oil pump body(2010-11) (No Oil Screen on the Body)					
3	DD250E-0106002A	Oil pump cover					
4	DD250E-9-0106003	Back cover					
5	DD250E-9-0106004	Shaft, oil pump					
6	DD250E-9-0106005	Gear, oil pump					
7	DD250E-0106006A	Rotor, oil pump outer					
8	DD250E-0106007A	Rotor, oil pump inner					
9	DD250E-0106010	Screw M5×7.5					
10	DD250E-0106110A	Screen, oil filter					
11	DD250E-0106102A	Holder, screen					
12	DD250E-0106008A	Gasket					
13	DD250E-0106009A	Pin, dowel					
14	DD250E-0103111A	O' Ring (6x3)					
15	GB5780-86	Bolt M5×20 Q-ZnD					
16	GB308-77	Steel ball 8					
17		Screw M6x30					



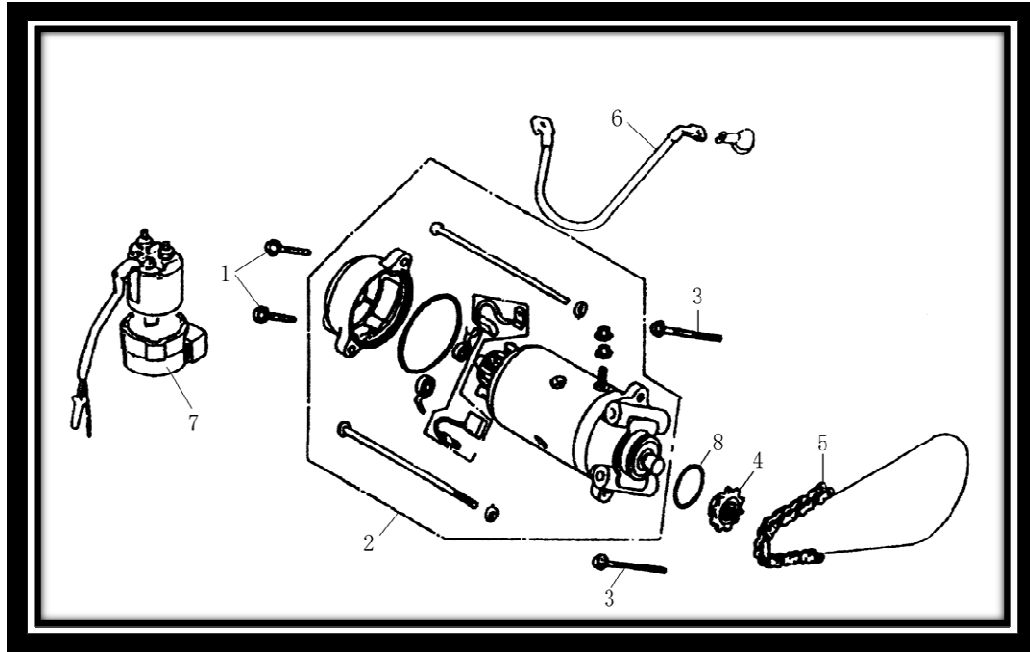
#	PART NUMBER	DESCRIPTION					
1	DD250E-0107110A	Outer comp, clutch					
2	DD250E-0107120A	Centre frame comp					
3	DD250E-0107121A	Center frame					
4	DD250E-0107122A	Disk, clutch friction					
5	DD250E-0107123A	Plate, clutch pressure					
6	DD250E-0107124A	Plate, clutch					
7	DD250E-0107125A	Washer					
8	DD250E-0107126A	Seat, judder spring					
9	DD300E-0107127	Spring					
10	DD250E-0107128A	Bolt M6x22					
11	DD250E-0107129A	Pressure cover					
12	DD250E-0107101A	Guide, clutch outer					
13	DD250E-0107102A	Washer, spline					
14	DD250E-0107001A	Washer					
15	DD250E-0107002A	Circular nut					
16	DD250E-0107003A	Washer, thrust					
17	DD250E-0107200A	Pushing bearing					



#	PART NUMBER	DESCRIPTION					
1	DD250E-6-0108101	Cover, left crankcase					
1A	DD250E-6-0108101/MB	Cover, left crankcase (Matt Black)					
2	DD250E-0108102A	Clamper, cord					
3	GB70-85	Screw, socket M5×30-ZnD					
4	DD250E-0108103A	Screw M14×1.5					
5	DD250E-0108104A	Screw M30×1.5					
6	DD250E-0108105A	O-ring 13.8×2.5					
7	DD250E-0108106A	O-ring 25.8×3.1					
8	GB70-85	Screw, socket M6×20-ZnD					
9	GB70-85	Screw, socket M5×30-ZnD					
10	DD250E-0108001A	Gasket, left crankcase cover					
11	DD250E-0108002A	Spacer comp, left side					
12	DD250E-0108003A	Plate, starting sprocket setting					
13	GB5787-86	Bolt M6×10-ZnD					
14	DD250E-0108004A	Bolt M6×20					
15	DD250E-0112002A	Bolt M6×50					
16	DD250E-0108006A	Bolt M6×65					

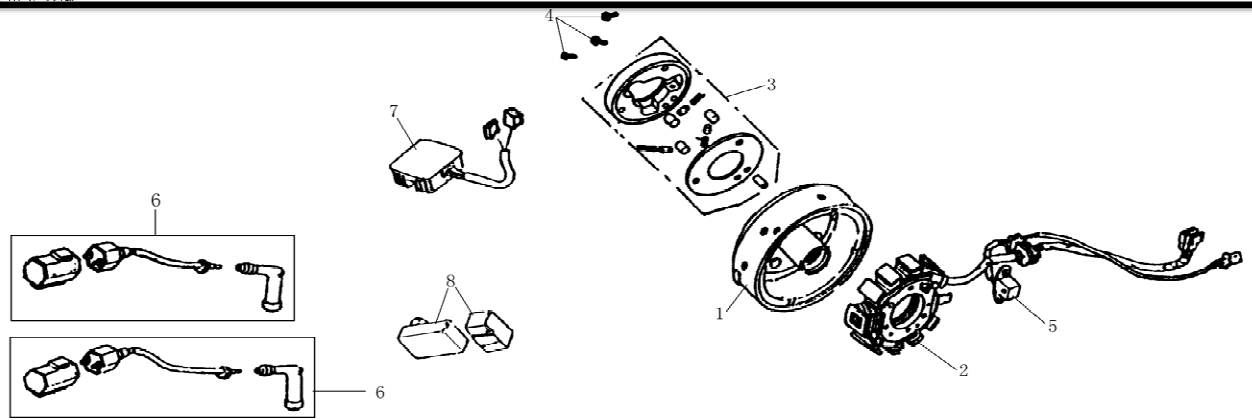


#	PART NUMBER	DESCRIPTION					
1	DD250E-0109100	Carburetor, assy					
2	DD250E-0109300	Right carburetor comp					
3	DD250E-0109201	Float pin					
4	DD250E-0109210	Float set					
5	DD250E-0109202	Gasket, float chamber					
6	DD250E-0109220	Chamber set, float					
7	DD250E-0109203	Screw M4×14					
8	DD250E-0109204	Clip, tube					
9	DD250E-0109205	Over petrol tube					
10	DD250E-0109110	Starter control rob comp					
11	DD250E-0109120	Connecting petrol pipe comp					
12	DD250E-0109231	Limited plate					
13	DD250E-0109232	Spring					
14	DD250E-0109233	Pin, petrol					
15	DD250E-0109234	Vacuum piston valve					
16	DD250E-0109235	Screw M4×8					
17	DD250E-0109236	Starter thicken valve set					
18	DD250E-0109237	Reset spring					
19	DD250E-0109200	Left carburetor comp					
20	DD250E-0109130	Screw set					
21	DD250E-0109101	Jet, slow					
22	DD250E-0109140	Screw set					
23	DD250E-0109150	Needle Seat Assembly					
24	DD250E-9-0109119	Choke spring slice					
25	DD250E-0109103	Screw M4×10					
26	DD250E-0109238	Vacuum piston valve cover					
27	DD250E-6-0109118	Choke Handel					
28	DD250E-6-0109117	Choke Handel frame					
29	DD250E-6-0109116	Bracket slice					
30	DD250E-0109001	Decorative cover, carburetor					
31	GB818-85	Bolt M4×6					
32	DD250E-9-0109119T	Tee					
33	DD250E-9-0117003	O Ring 8x1.2					
34		Fuel Passage Tube Not for Sale					
35		O Ring 5.8x1					
36		Jet Main 94.5					
37		Starter Thicken Valve Slice					

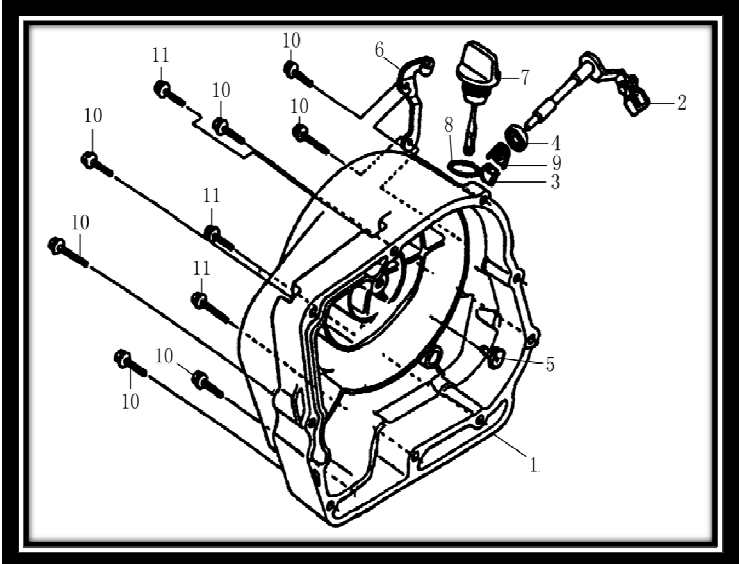


#	PART NUMBER	DESCRIPTION					
1	DD250E-0110001A	Bolt M6×22					
2	DD250E-0110120	Starting motor					
3	DD250E-0108006A	Bolt M6×65					
4	DD250E-0110102A	Sprocket, starting motor					
5	DD250E-0110300A	Chain, starting					
6	DD250E-0110110ZH	Cable, starting motor					
7	DD250E-0110200	Switch assy, starting magnetic					
8	DD250E-0110101A	O- ring 33.5×1.8					

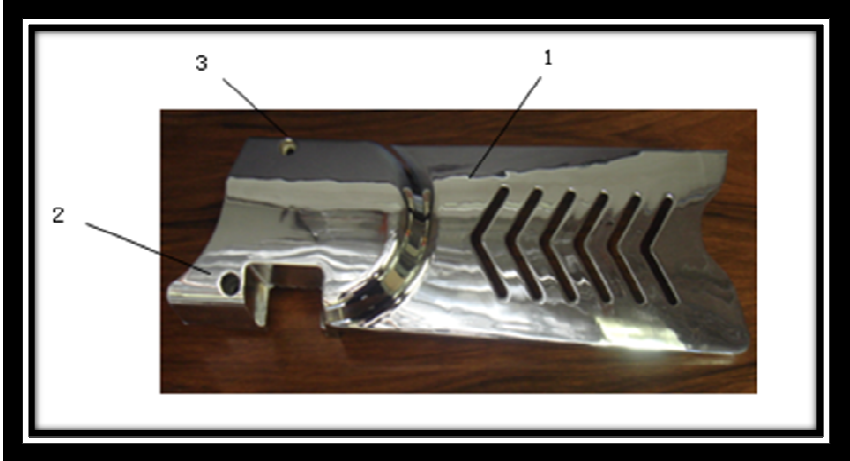
FIGURE 11-22 22/24



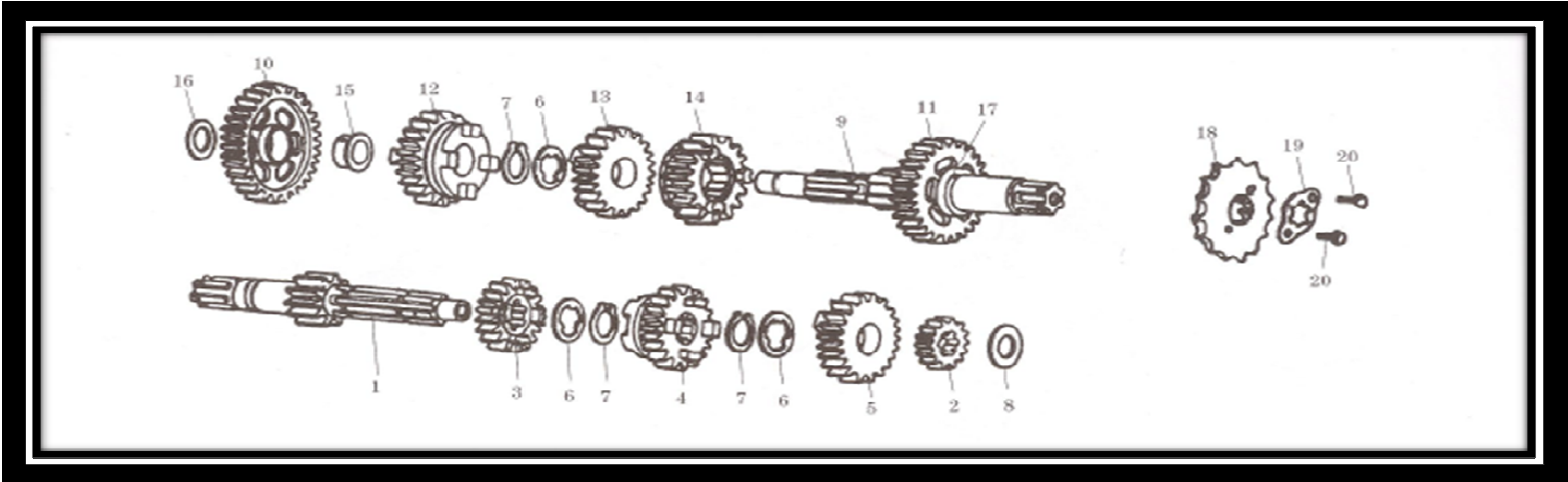
#	PART NUMBER	DESCRIPTION					
1	DD250E-9-0111110B	Flywheel comp					
2	DD250E-9-0111120A	Stator comp					
3	DD250E-0111130C	Starting clutch					
4	GB70-85	Screw M6×14-ZnD					
5	DD250E-9-0111150A	Generator assy, assy , pulse					
6	DD250E-6-0111300	Coil with wire.					
7	DD250E-9-0111400	Voltage Regulator					
8	DD250E-9-0111500	CDI					



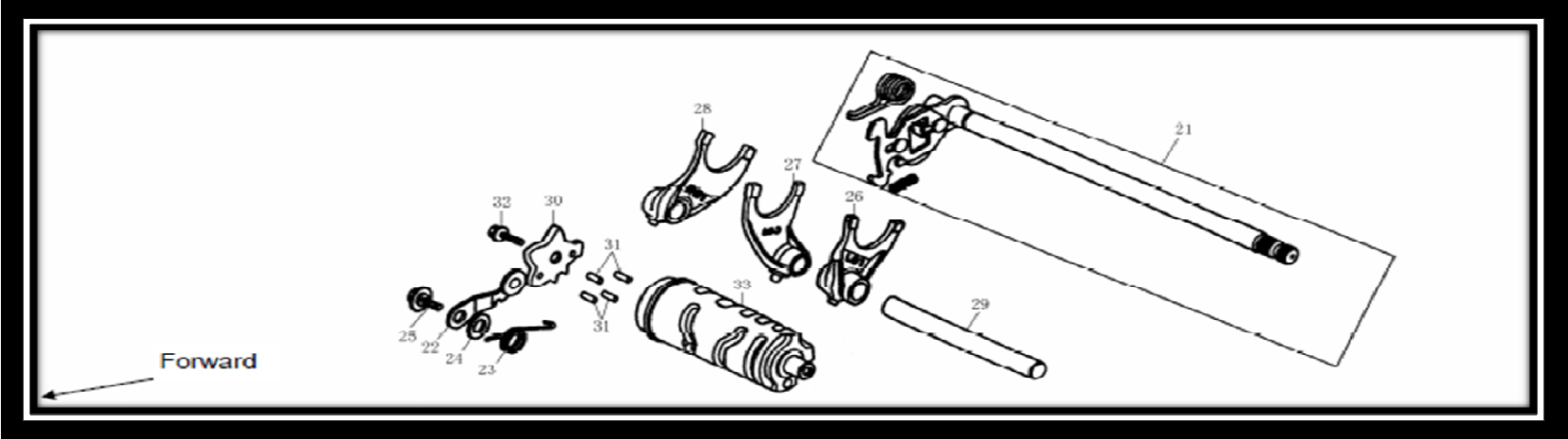
#	PART NUMBER	DESCRIPTION					
1	DD250E-6-0112101	Cover comp, right crankcase					
1A	DD250E-6-0112101/A10	Cover comp, right crankcase(2010-11)					
1B	DD250E-6-0112101/MB	Cover comp, right crankcase (Matt Black)					
1C	DD250E-6-0112101/MB/A10	Cover comp, right crankcase(2010-11) (Matt Black)					
2	DD250E-0112110A	lever comp, clutch					
3	DD250E-0112120	Bearing HK1210					
4	DD250E-0112130	Oil seal (12×18×5)					
5	DD250E-0112102A	Pin, clutch lifter					
6	DD250E-0112103A	Receiver, clutch cable					
7	DD250E-0112140	Gauge, oil level					
8	DD250E-0112142A	O- ring 18×3					
9	DD250E-0112106A	Spring, clutch lever					
10	DD250E-0112001A	Bolt M6×40					
11	DD250E-0112002A	Bolt M6×50					



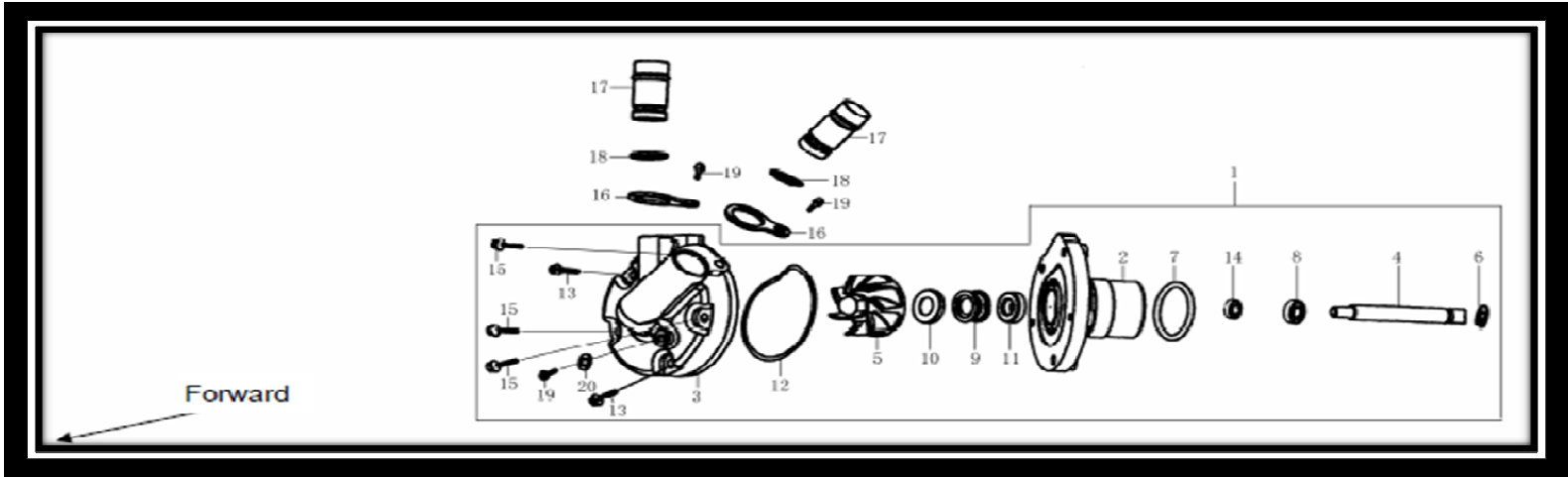
#	PART NUMBER	DESCRIPTION					
1	See your part frame book for P/N	Fwd sprocket cover (See your part frame book for P/N)					
2	DD250E-0113001	Bottom sprocket cover bolt M6x46					
3	DD250E-0113002	Top sprocket cover bolt M6x60					



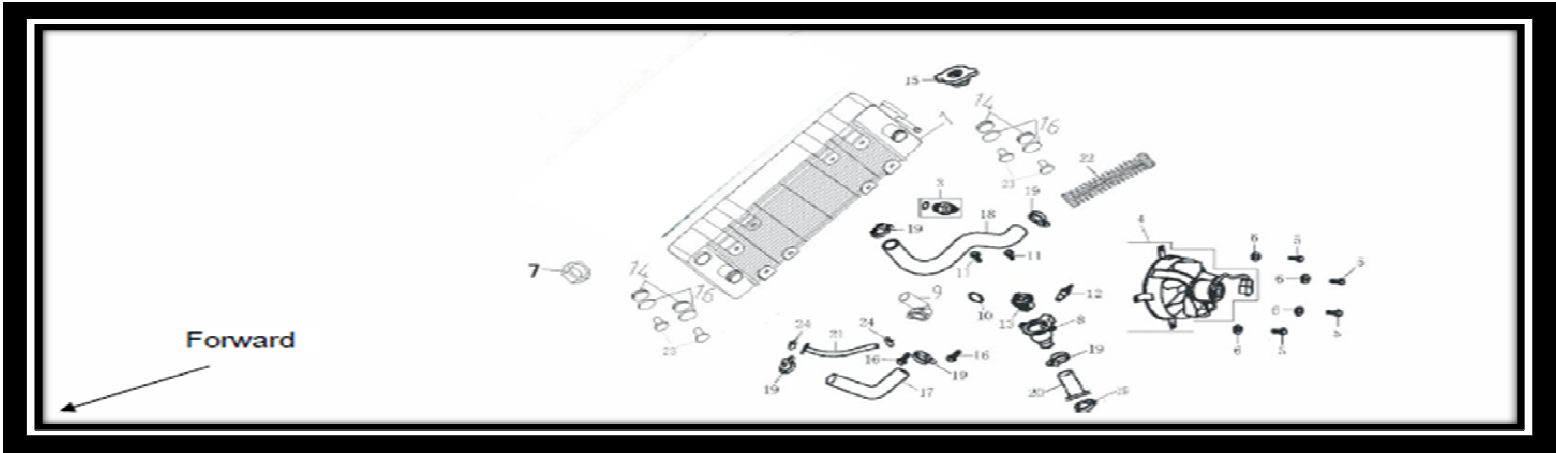
#	PART NUMBER	DESCRIPTION					
1	DD250E-0114101A	MAIN SHAFT COMP					
2	DD250E-0114102A	GEAR, MAIN SHAFT SECOND (18T)					
3	DD250E-0114103A	GEAR, MAIN SHAFT THIRD (21T)					
4	DD250E-0114104A	GEAR, MAIN SHAFT FOURTH (24T)					
5	DD250E-0114105A	GEAR, MAIN SHAFT FIFTH (23T)					
6	DD250E-0114106A	WASHER SPLINE					
7	DD250E-0114107A	SET RING					
8	DD250E-0114201A	WASHER					
9	DD250E-0114201A	COUNTERSHAFT, COMP					
10	DD250E-0114202A	GEAR, COUNTERSHAFT FIRST (37T)					
11	DD250E-0114203A	GEAR, COUNTERSHAFT SECOND (32T)					
12	DD250E-0114204A	GEAR, COUNTERSHAFT THIRD (28T)					
13	DD250E-0114205A	GEAR, COUNTERSHAFT FOURTH (26T)					
14	DD250E-0114206A	GEAR, COUNTERSHAFT FIFTH (21T)					
15	DD250E-0114207A	BUSH					
16	DD250E-0114208A	WASHER					
17	DD250E-0114209A	RETAINING RING					
18	DD250E-0114401A	SPROCKET, COUNTER SHAFT					
19	DD250E-0114402A	PLATE, FIXING					
20	GB5783-86	BOLT M6X10/ZND					



#	PART NUMBER	DESCRIPTION					
21	DD250E-0114300B	SPINDLE COMP, GEARSHIFT					
22	DD250E-0114500A	STOPPER COMP, GEARSHIFT DRUM					
23	DD250E-0114501	SPRING, SHIFT DRUM STOPPER					
24	DD250E-0114502A	WASHER 6					
25	DD250E-0114503A	SCREW M6X12					
26	DD250E-0114001A	FORK, LEFT GEARSHIFT					
27	DD250E-0114002A	FORK, CENTER GEARSHIFT					
28	DD250E-0114003A	FORK, RIGHT GEARSHIFT					
29	DD250E-0114004A	SHAFT, GEASHIFT FORK GUIDE					
30	DD250E-0114005A	PLATE, DRUM STOPPER					
31	DD250E-0114006A	PIN, GEARSHIFT DRUM					
32	DD250E-0114007A	SCREW M6X20					
33	DD250E-0114601B	DRUM, GEARSHIFT					



#	PART NUMBER	DESCRIPTION					
1	DD250E-9-0116000	WATER PUMP COMP					
2	DD250E-9-0116001	WATER PUMP HULL					
3	DD250E-9-0116002	WATER PUMP COVER					
3A	DD250E-9-0116002/A10-A11	WATER PUMP COVER(2010-11)					
3B	DD250E-9-0116002/MB	Water Pump Cover Matt Black					
3C	DD250E-9-0116002/MB/A10	Water Pump Cover Matt Black(2010-2011)					
4	DD250E-9-0116003	WATER PUMP SHAFT					
5	DD250E-9-0116004	FAN					
6	GB896-86	RETAINING RING 8					
7	DD250E-9-0116005	O-RING 36X2 (2007-2009 models only)					
8	GB/T276-94	BEARING 6200					
9	DD250E-9-0116100	WATER SEAL A					
10	DD250E-9-0116200	WATER SEAL B					
11	DD250E-9-0116300	OIL SEAL 21X10X5					
12	DD250E-9-0116006	O-RING OF PUMP COVER (2007-2009) 2.5mm cross section					
12A	DD250E-9-0116006/A10	O-RING OF PUMP COVER(2010-11) 2mm cross section					
13	DD250E-9-0116011	BOLT M6X29					
14	GB/T276-94	BEARING 6000					
15	DD250E-0112001A	BOLT M6X40					
16	DD250E-9-0101024	HOSE CONNECTOR SETING PLATE					
17	DD250E-9-0101025	HOSE CONNECTOR					
18	DD250E-9-0101026	O-RING 17X2					
19	GB5787-86	BOLT M6X12					
20	GB/T848-1985	WASHER 6					



#	PART NUMBER	DESCRIPTION					
1	DD250E-9A-0117110	radiator					
3	DD250E-9-0117120	fan motor switch					
4	DD250E-9B-0117200	radiator fan					
5	GB5781-86	bolt m5x10					
6	GB95-85	washer 5					
7	GB6170-86	nut m6					
8	DD250E-9-0117301	thermostat hull					
9	DD250E-9A-0117302	thermostat cover					
9A	DD250E-9A-0117302/A11	thermostat cover (2011)					
10	DD250E-9-0117303	o-ring 20x2.5					
11	GB/T5789	bolt m6x16					
12	DD250E-9-0117310	thermo sensor					
12A	DD250E-9-0117310/A9	thermo sensor(2009-11)					
13	DD250E-9-0117320	thermostat					
14	DD250E-9A-0117007	radiator damping washer					
15	DD250E-9-0117410	radiator cap					
16	DD250E-9A-0117006	radiator damping washer steel set					
17	DD250E-9A-0117001	hose of water enter radiator					
17A	DD250E-9A-0117001/A10	hose of water enter radiator(2010)					
17B	DD250E-9A-0117001/A11	hose of water enter radiator(2011)					
18	DD250E-9A-0117002	hose or water out-flow from radiator					
18A	DD250E-9A-0117002/A10	hose or water out-flow from radiator(2010)					
18B	DD250E-9A-0117002/A11	hose or water out-flow from radiator(2011)					
19	DD250E-9-0117010	tube clip					
20	DD250E-9A-0117004	hose of water enter thermostat					
20A	DD250E-9A-0117004/A10	hose of water enter thermostat(2010)					
20B	DD250E-9A-0117004/A11	hose of water enter thermostat(2011)					
21	DD250E-9A-0117005	hose of water enter reservoir tank					
22	DD250E-9-0117006	hose spring of water enter radiator					
23	DD250E-0108004A	bolt m6x20					
24	DD250E-9-0117003	hose clip					